

**Explosion Proof  
(Division 2)**

### DESCRIPTION

Versatile Nega-Rate® Belleville spring adjustable pressure switch for hydraulic applications up to 10,000 psig system pressure. Unit has been designed for Division 2 explosion proof environments and is weather proof, making it suitable for all of your Division 2 applications.

### Operating Pressure Data

Adjustable Range Number	Adjustable Set Point Range		Deadband† (approximate)		Maximum Recommended System Pressure	Proof Pressure
	Increasing	Decreasing	Min.	Max.		
2	20 to 220	14 to 202	6	18	3000	4500
3	200 to 1500	150 to 1275	50	225	7500	10000
6	500 to 3000	375 to 2700	125	300	7500	10000
8	1000 to 10000	800 to 9000	200	1000	10000	15000

All values given in psig.

†The deadband increases as the adjustable set point is increased.

### Standard Specifications

#### Electrical

Snap action electrical switch listed by Underwriters Laboratories, Inc. and CSA

#### Electrical Connection

¾" - 14 NPT female conduit connection with terminal block and ground screw

#### Pressure Connection

Wetted Material 1

¼" - 18 NPT Female

#### Temperature Range

Ambient:

11 amp T4 -40°F to +165°F  
(-40°C to +74°C)

5 amp T5 -40°F to +180°F  
(-40°C to +82°C)

5 amp T6 -40°F to +172°F  
(-40°C to +78°C)

M Option:

1 amp T6 -40°F to +180°F  
(-40°C to +82°C)

Media: -40°F to +300°F  
(-40°C to +149°C)

#### Adjustment

Concealed wrench flat adjustment with range scale

#### Shipping Weight

Approximately 3 pounds

### Ordering Sequence — Select desired option for each category

#### OPTIONS

##### Wetted Material

1 Aluminum port and piston, Teflon seal and Buna-N O-Ring

##### Adjustable Range

2 14 psig dec. to 220 psig inc. (1.0 bar dec. to 15.2 bar inc.)

3 150 psig dec. to 1500 psig inc. (10.3 bar dec. to 103.4 bar inc.)

6 375 psig dec. to 3000 psig inc. (25.9 bar dec. to 206.9 bar inc.)

8 800 psig dec. to 10000 psig inc. (55.2 bar dec. to 689.5 bar inc.)

##### Electrical Form

C 11 amps and ¼ hp 125 or 250 VAC; 5 amps resistive, 3 amps inductive 28 VDC; .5 amps resistive 125 VDC

CC 11 amps and ¼ hp 125 or 250 VAC; 5 amps resistive, 3 amps inductive 28 VDC; .5 amps resistive 125 VDC

##### Enclosure

5 Hermetically sealed (explosion proof for all Division 2 hazardous locations)

##### Miscellaneous

A Epoxy paint exterior — extra protection for severe environments

B Viton O-Ring

C EPR O-Ring

E ⅜" - 20 SAE port (Contact factory for reduced operating and system pressures)

M Gold electrical contacts for extremely low current applications

##### Special (Consult representative or factory)

■ Non-catalog adjustable range and/or set point, deadband and proof pressure

■ Operating temperature capability from -65°F to +400°F

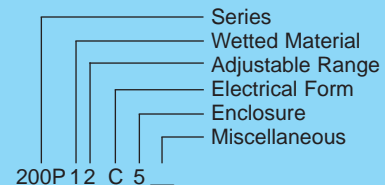
■ Chemical seals installed

### Ordering Procedure

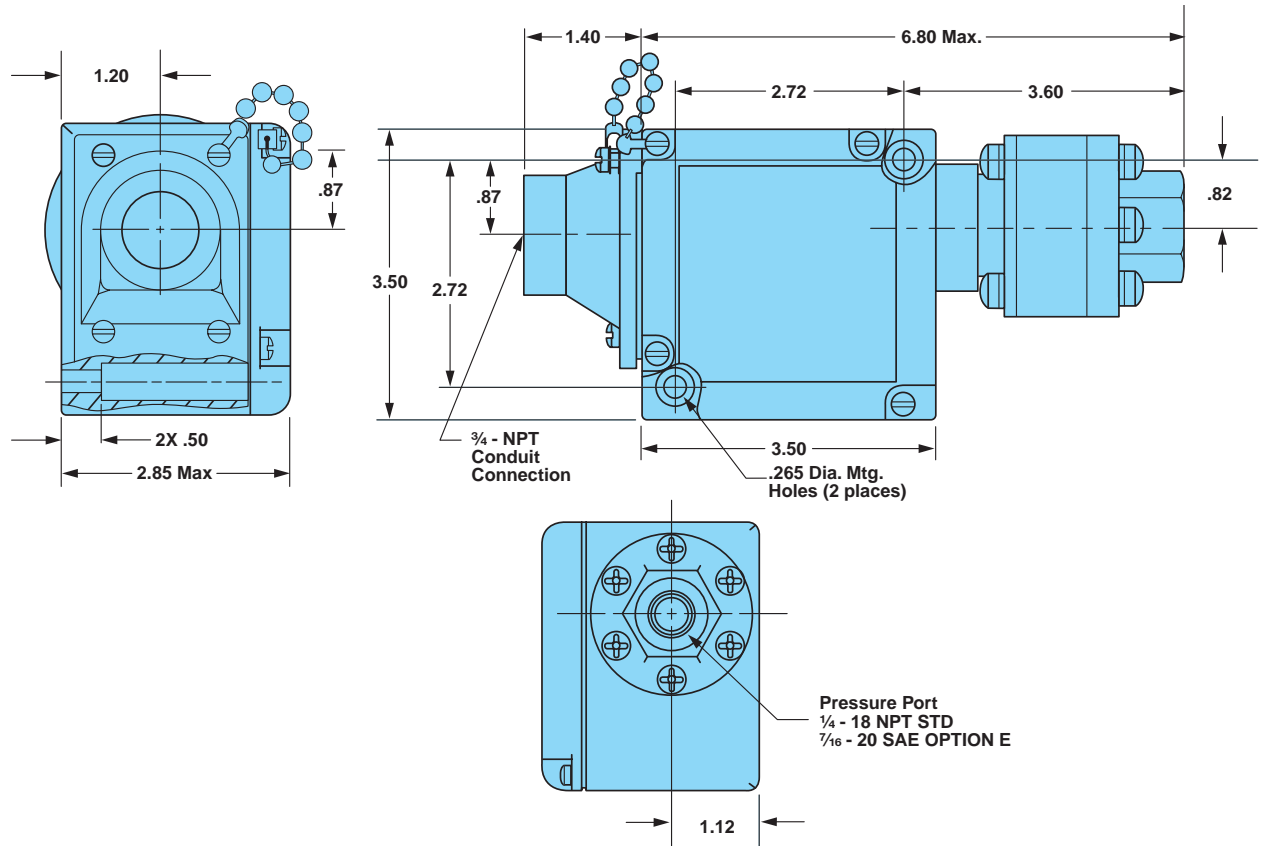
■ When factory presetting is desired, stipulate set point, increasing or decreasing

■ Insert available option number or letter designation as required

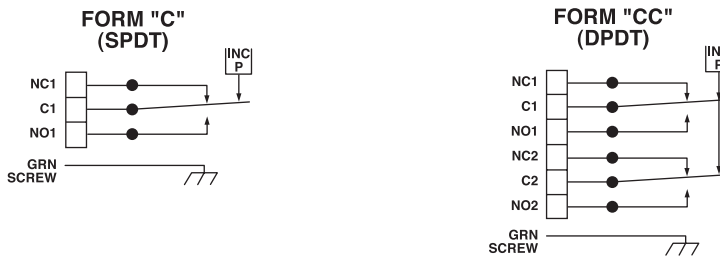
### Example



Envelope Dimensions



Electrical Form



Basic Principles of Design

