

Explosion Proof (Division 2)

DESCRIPTION

Sensitive Nega-Rate® Belleville spring adjustable pressure switch for low pressure applications. Unit has been designed for Division 2 explosion proof environments and is weather proof, making it suitable for all of your Division 2 applications.

Operating Pressure Data

Adjustable Range Number	Adjustable Set Point Range		Deadband (approximate)	Maximum Recommended System Pressure	Proof Pressure
	Increasing	Decreasing			
2	10" H ₂ O to 100" H ₂ O	7" H ₂ O to 97" H ₂ O	3" H ₂ O	300	500
4	3 to 15	2.75 to 14.75	.25*	300	500

All values given in psig (except as noted).

*Deadband increases to .4 psi (approx.) in "CC5" configuration.

Standard Specifications

Electrical

Snap action electrical switch listed by Underwriters Laboratories, Inc. and CSA

Electrical Connection

¾" - 14 NPT female conduit connection with terminal block and ground screw

Pressure Connection

Wetted Material 1

¼" - 18 NPT Female

Wetted Material 4

½" - 14 NPT Female

Temperature Range

Ambient:

11 amp T4 -40°F to +165°F
(-40°C to +74°C)

5 amp T5 -40°F to +180°F
(-40°C to +82°C)

5 amp T6 -40°F to +172°F
(-40°C to +78°C)

M Option:

1 amp T6 -40°F to +180°F
(-40°C to +82°C)

Media: -40°F to +300°F
(-40°C to +149°C)

Adjustment

Concealed wrench flat adjustment with range scale

Shipping Weight

Approximately 3 pounds

Ordering Sequence — Select desired option for each category

OPTIONS

Wetted Material

- 1 Aluminum port, Teflon coated polyimide diaphragm and Buna-N O-Ring
- 4 316 stainless steel port, Teflon coated polyimide diaphragm and Buna-N O-Ring

Adjustable Range

- 2 7" H₂O dec. to 100" H₂O inc. (17 millibar dec. to 249 millibar inc.)
- 4 2.75 psig dec. to 15 psig inc. (0.2 bar dec. to 1.0 bar inc.)

Electrical Form

- C 11 amps and ¼ hp 125 or 250 VAC; 5 amps resistive, 3 amps inductive 28 VDC; .5 amps resistive 125 VDC
- CC 11 amps and ¼ hp 125 or 250 VAC; 5 amps resistive, 3 amps inductive 28 VDC; .5 amps resistive 125 VDC

Enclosure

- 5 Hermetically sealed (explosion proof for all Division 2 hazardous locations)

Miscellaneous

- A Epoxy paint exterior — extra protection for severe environments
- B Viton O-Ring
- C EPR O-Ring
- F Fire fuse — for fire-tested equipment
- G ½" - 14 NPT male port (Wetted Material 4 only)
- M Gold electrical contacts for extremely low current applications
- S Stainless steel diaphragm (Wetted Material 4 only)
- W Stainless steel screws — exterior (Standard with Wetted Material 4)

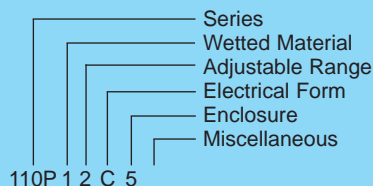
Special (Consult representative or factory)

- Non-catalog adjustable range and/or set point, deadband and proof pressure
- Chemical seals installed

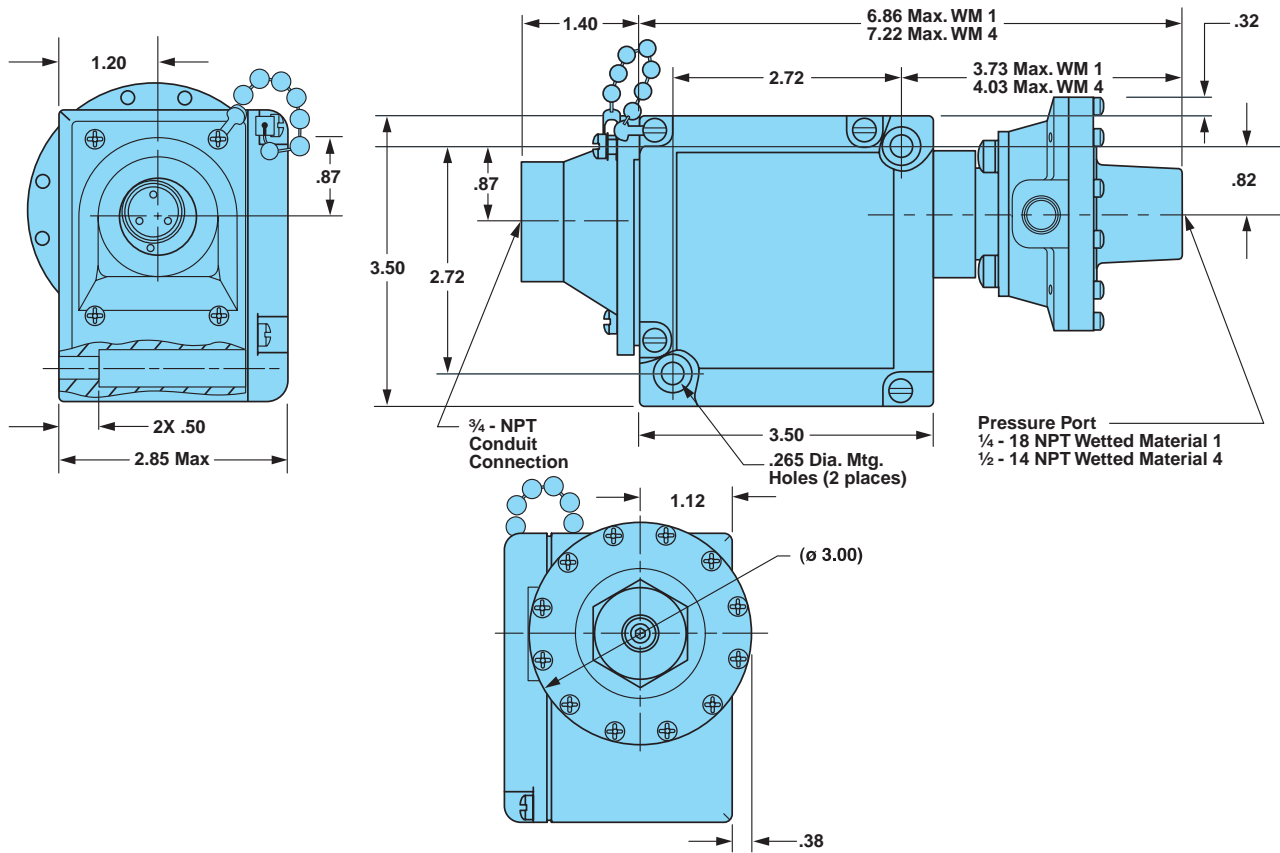
Ordering Procedure

- When factory presetting is desired, stipulate set point, increasing or decreasing
- Insert available option number or letter designation as required

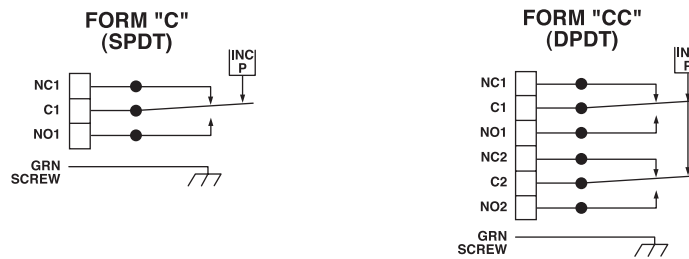
Example



Envelope Dimensions



Electrical Form



Basic Principles of Design

