

Explosion Proof (Division 2)

DESCRIPTION

Versatile Nega-Rate® Belleville spring pressure switch for use in division 2 hazardous areas. Applications include pneumatic and low impulse hydraulics up to 3000 psig system pressures. Various wetted material selections make this switch ideal for any type of process application.

Operating Pressure Data

Adjustable Range Number	Adjustable Set Point Range		Deadband (approximate)	Maximum System Pressure	Proof Pressure
	Increasing	Decreasing			
1	5 to 75	2.3 to 72.3	2.7	600	1000
2	15 to 150	9 to 144	6	3000	5000
4	50 to 300	36 to 286	14	3000	5000
5	125 to 600	100 to 575	25	3000	5000
7	500 to 1500	440 to 1440	60	3000	5000
8	800 to 2800	675 to 2675	125	3000	5000

All values given in psig.

Standard Specifications

Electrical

Snap action electrical switch listed by Underwriters Laboratories, Inc. and CSA

Electrical Connection

¾" - 14 NPT female conduit connection with terminal block and ground screw

Pressure Connection

Wetted Material 1

¼" - 18 NPT Female

Wetted Material 4, 5, 9

½" - 14 NPT Female

Temperature Range

Ambient:

11 amp T4 -40°F to +165°F
(-40°C to +74°C)

5 amp T5 -40°F to +180°F
(-40°C to +82°C)

5 amp T6 -40°F to +172°F
(-40°C to +78°C)

M Option:

1 amp T6 -40°F to +180°F
(-40°C to +82°C)

Media:

-40°F to +300°F
(-40°C to +149°C)

Adjustment

Concealed wrench flat adjustment with range scale

Shipping Weight

Approximately 3 pounds

Ordering Sequence — Select desired option for each category

OPTIONS

Wetted Material

- 1 Aluminum port, Teflon coated polyimide diaphragm, Buna-N O-Ring
- 4 316 stainless steel port, Teflon coated polyimide diaphragm, Buna-N O-Ring
- 5 316 stainless steel port and diaphragm heliarc welded
- 9 Monel port and inconel diaphragm heliarc welded (Except Range 1)

Adjustable Range

- 1 2.3 psig dec. to 75 psig inc. (0.2 bar dec. to 5.2 bar inc.)
- 2 9 psig dec. to 150 psig inc. (0.6 bar dec. to 10.3 bar inc.)
- 4 36 psig dec. to 300 psig inc. (2.5 bar dec. to 20.7 bar inc.)
- 5 100 psig dec. to 600 psig inc. (6.9 bar dec. to 41.4 bar inc.)
- 7 440 psig dec. to 1500 psig inc. (30.3 bar dec. to 103.4 bar inc.)
- 8 675 psig dec. to 2800 psig inc. (46.5 bar dec. to 193.1 bar inc.)

Electrical Form

- C 11 amps and 125 or 250 VAC; 5 amps resistive, 3 amps inductive 28 VDC
- CC 11 amps and 125 or 250 VAC; 5 amps resistive, 3 amps inductive 28 VDC

Enclosure

- 5 Hermetically sealed (explosion proof for all Division 2 hazardous locations)

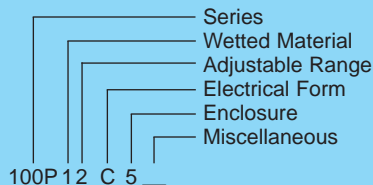
Miscellaneous

- A Epoxy paint exterior — extra protection for severe environments
- B Viton O-Ring
- C EPR O-Ring
- E ¾" - 20 SAE port
- F Fire fuse — for fire-tested equipment
- M Gold electrical contacts for extremely low current applications
- O Oxygen clean
- S Stainless steel diaphragm
- W Stainless steel screws — exterior (Standard with Wetted Materials 4, 5 and 9)

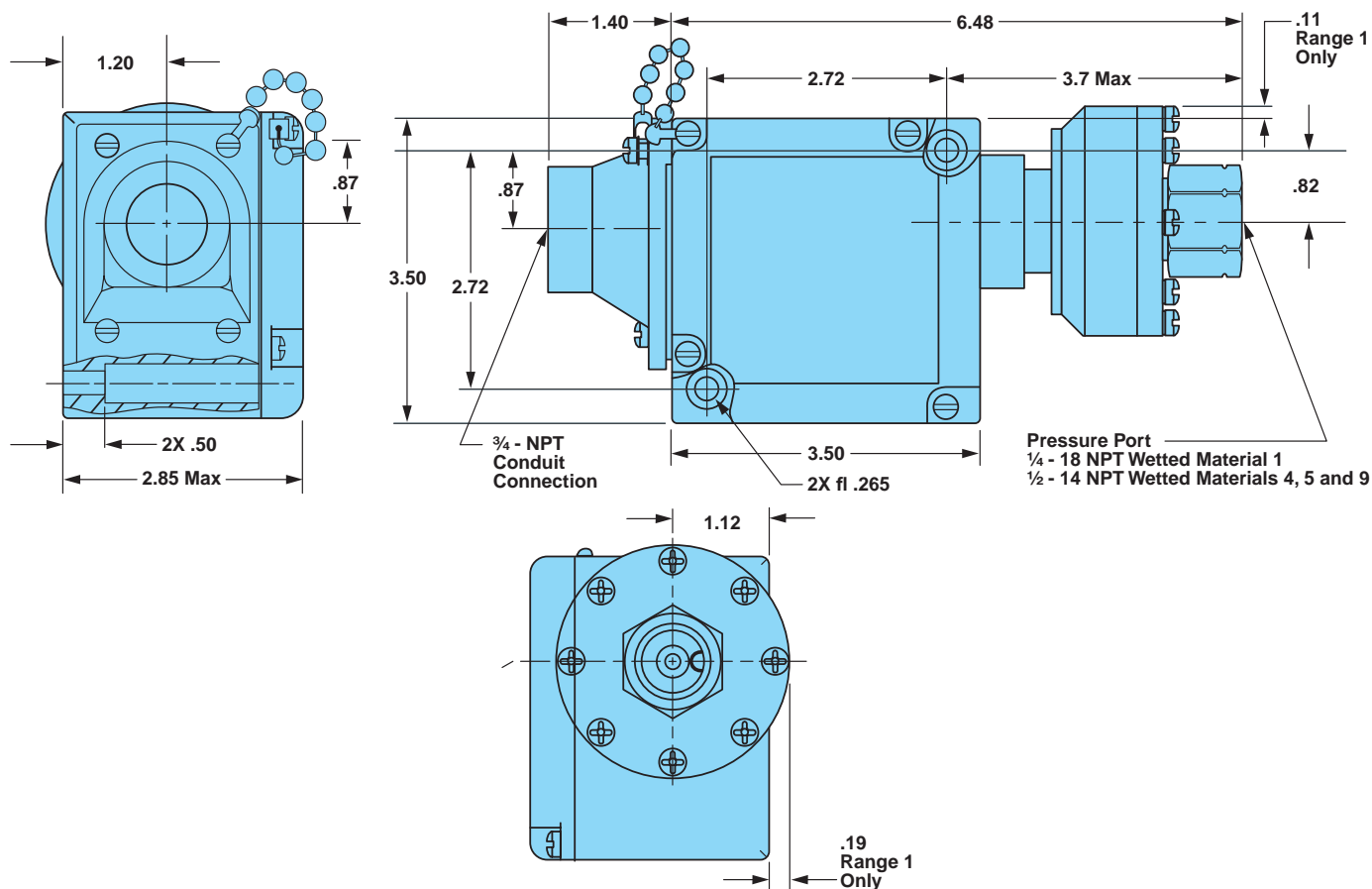
Ordering Procedure

- When factory presetting is desired, stipulate set point, increasing or decreasing
- Insert available option number or letter designation as required

Example



Envelope Dimensions



Electrical Form



Basic Principles of Design

