

# Assist System

## A4500 Vacuum Assist Vapor Recovery Nozzle

Emco Wheaton A4500 vacuum assist nozzles are CARB certified for Marconi VaporVac<sup>®</sup>, Schlumberger Savr<sup>®</sup>, and Hasstech VacuRite<sup>®</sup> vacuum vapor recovery systems. The spout features a split tube design vapor path for added strength. The A4500 is lightweight, with an easy to use hold-open latch.



For information concerning private brand colors and logos, please contact our customer service department.

■ The A4500 is CARB certified and UL listed.  
 Marconi G-70-150-AD  
 Hasstech G-70-164

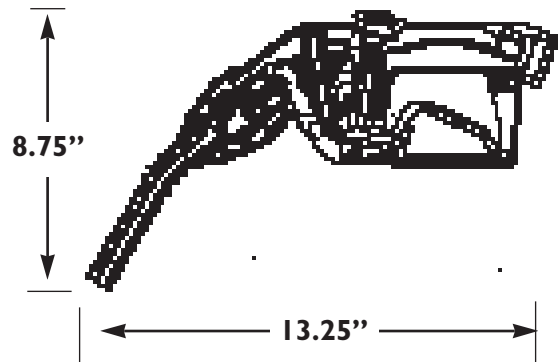
### A4500 Vapor Recovery Nozzle

Marconi* & Schlumberger Unleaded Model No.	Scuff Guard Color
A4500-052	Black
A4500-058	Blue
A4500-059	White
A4500-060	Med. Red
A4500-061	Royal Blue
A4500-062	Green
A4500-063	Dark Red
A4500-064	Yellow

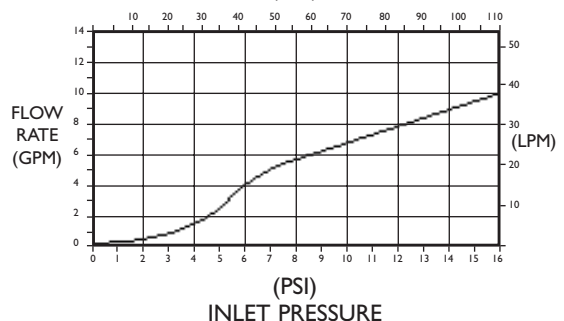
\*Original Marconi (Gilbarco) dispensers manufactured prior to August 1, 2000.

Hasstech Unleaded Model No.	Scuff Guard Color
A4500-002	Black

Weighs 3 lbs., 2 oz.



A4500/ A4505 Flow Data  
(kPa)



### A4500 Replacement Parts

Kit No.	Description
493748	Spout Kit - Unleaded
493749	Vapor Seal Kit - Unleaded
493750	Spout and Vapor Seal Kit - Unleaded
493828	A over L Test Kit Adapter
566292	Spout Spring
A0520-045	Latch Kit

#### Material

Body & Spout: Aluminum  
 Lever & Guard: Thermoplastic  
 Seals: Nitrile & Viton<sup>®</sup>  
 Scuff Guard: Vinyl

Viton<sup>®</sup> is a registered trademark of DuPont Dow Elastomers

# Assist System

## A4505 Vacuum Assist Vapor Recovery Nozzle With Vapor Valve

Emco Wheaton A4505 vacuum assist nozzles are CARB certified for all three major vacuum assist systems: Marconi VaporVac®, Tokheim Max Vac® and Dresser/Wayne Wayne Vac®. This nozzle is designed with an integral vapor valve. The spout features a split tube design vapor path for added strength. The A4505 is light-weight, with an easy to use hold-open latch.



■ The A4505 is CARB certified and UL listed.  
 Marconi G-70-150-AE  
 Tokheim G-70-154-AA  
 Dresser/Wayne G-70-153-AB

For information concerning private brand colors and logos, please contact our customer service department.

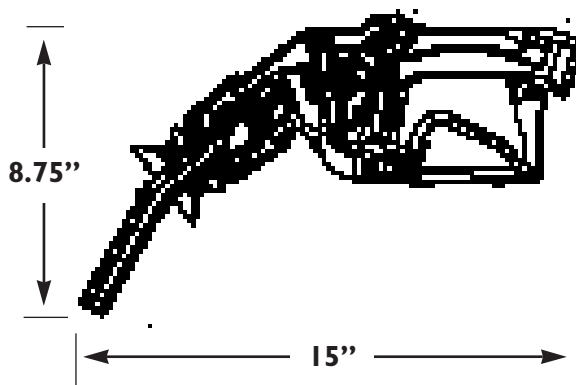
### A4505 Vapor Recovery Nozzle

Marconi, Tokheim & Dresser/Wayne Unleaded Model No.	Scuff Guard Color
A4505-052	Black
A4505-058	Blue
A4505-059	White
A4505-060	Med. Red
A4505-061	Royal Blue
A4505-062	Green
A4505-063	Dark Red
A4505-064	Yellow

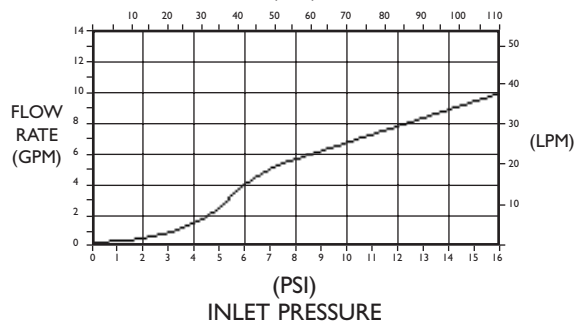
Weighs 3 lbs., 2 oz.

### A4505 Replacement Parts

Kit No.	Description
493748	Spout Kit - Unleaded
493810	Spout and Vapor Seal Kit - Unleaded
493828	A over L Test Kit Adapter
493917	Vapor Seal Kit
494009	Mini-boot Subassembly
566292	Spout Spring
A0520-045	Latch Kit



A4500/ A4505 Flow Data (kPa)



#### Material

Body & Spout: Aluminum  
 Lever & Guard: Thermoplastic  
 Seals: Nitrile & Viton®  
 Scuff Guard: Vinyl

Viton® is a registered trademark of DuPont Dow Elastomers

# Balance System

## A4005 Vantage Balance System Vapor Recovery Nozzle With Vapor Valve

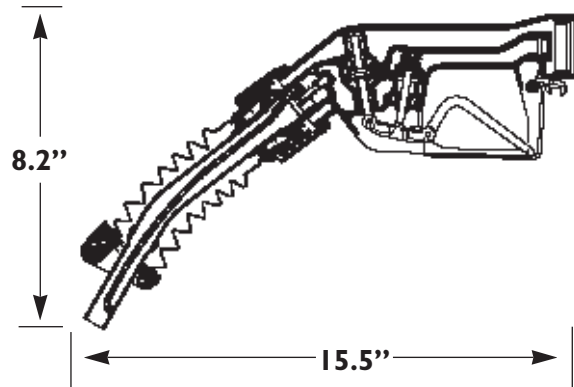
The A4005 Vantage has proven itself as the vapor recovery nozzle of choice in areas that already require Stage II. Developed to be user friendly, the A4005 utilizes the most up-to-date vapor recovery technology available.

As a member of the A4000 Series, the A4005 offers the same lightweight and streamlined design advantages characteristic of the product line. A low restriction vapor valve is built into the A4005 so it does not require an external vapor valve. This nozzle includes the no-seal, no-flow interlock mechanism and automatic shutoff for reliable, safe operation. It also has an internal pressure shutoff to detect vapor blockage.

**Note:** The part numbers below include the standard glossy black scuff guard. For additional scuff guard color availability, consult with our customer service department.



■ The A4005 is CARB Certified by Executive Order #95-26, UL listed and approved by the N.Y. Department of Environmental Conservation and the Oregon Department of Environmental Quality.



### A4005 Vapor Recovery Nozzle

Unleaded Model No.	Type
A4005-002	New
A4005-004	Rebuilt

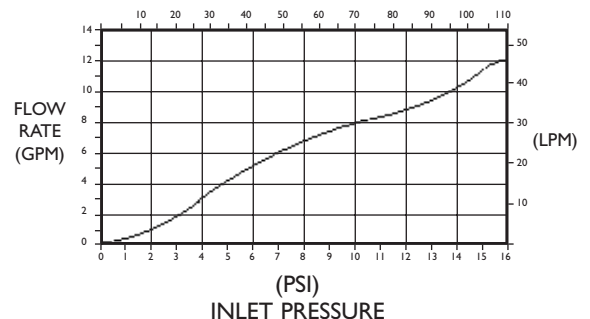
Weighs 3 lbs., 11 oz.

### A4005 Replacement Parts

Kit No.	Description	Kit No.	Description
493040	Spout Kit - Unleaded	493780	Boot Only Kit
493042	Boot Face Kit	493781	Boot & Face Kit
493047	Clamp & Cover Kit	493846	Front End Kit - Spout/Boot
493062	Latch Kit	563834	Clamp

Material	
Body & Spout:	Aluminum
Lever:	Thermoplastic
Lever Guard:	Aluminum
Seals:	Nitrile & Viton
Scuff Guard:	Vinyl

A4005/4015 Flow Data  
(kPa)



# Balance System

## A4015 Short Spout Balance System Vapor Recovery Nozzle With Vapor Valve

The A4015 Short Spout Vapor Recovery Nozzle is the economical choice for Stage II conversion. Not only do you save on the lower investment associated with the balance system (vs. the vacuum assist system), but you also save on dispenser retrofit costs.

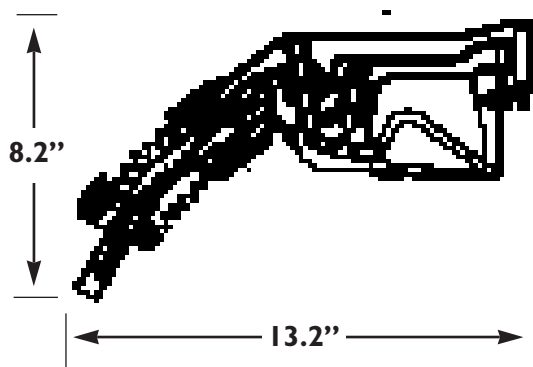
It's simple. The A4015 was designed with the same overall dimensions of a conventional nozzle so it fits the same nozzle bracket. This eliminates the expense of dispenser modifications needed with competitive nozzles.

The A4015 also features automatic shutoff, no-seal, no-flow interlock, and internal pressure shutoff for reliable, safe operation. A low restriction vapor valve is built into the A4015. This eliminates the additional installation cost for an external valve.

**Note:** The part numbers below include the standard glossy black scuff guard. For additional scuff guard color availability, consult with our customer service department.



- The A4015 is CARB Certified by Executive Order #95-26, UL listed and approved by the N.Y. Department of Environmental Conservation and the Oregon Department of Environmental Quality.

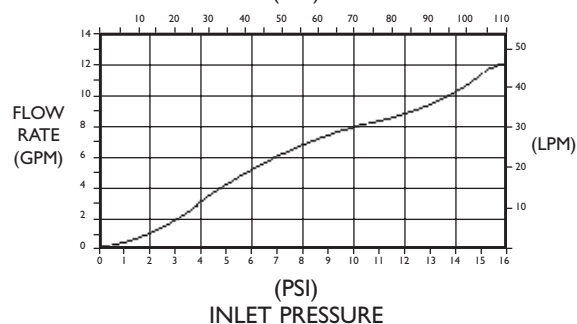


### A4015 Vapor Recovery Nozzle

Unleaded Model No.	Type
A4015-002	New
A4015-004	Rebuilt

Weighs 3 lbs., 6 oz.

A4005/4015 Flow Data  
(kPa)



### A4015 Replacement Parts

Kit No.	Description	Kit No.	Description
493042	Boot Face Kit	493400	Boot & Face Kit
493047	Clamp & Cover Kit	493584	Boot Only Kit
493062	Latch Kit	493847	Front End Kit - Spout/Boot
493398	Spout Kit - Unleaded	563834	Clamp

#### Material

Body & Spout:	Aluminum
Lever:	Thermoplastic
Lever Guard:	Aluminum
Seals:	Nitrile & Viton
Scuff Guard:	Vinyl

# Automatic Nozzles

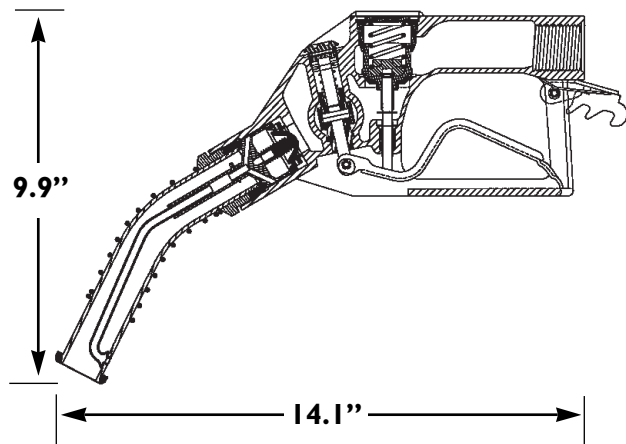
## A6000 Roughneck® Truck Stop Nozzle

The A6000 Roughneck® is a full-flow automatic nozzle for up to 60 GPM, designed for the unique durability requirements of truck stops. The A6000 has a modern, human engineered shape that's lighter, more comfortable to handle and much easier to use. Its rugged unibody construction, thick walled spout and stamped steel lever are built for durability, long lasting reliability, and maximum flow rates. The A6000 features a hold-open latch and vinyl scuff guard. Spout Kits and a variety of scuff guard colors are available. Every A6000 Roughneck® nozzle features the standard Emco Wheaton 12 month warranty.

For retaining ring on spout, specify R suffix after part number.



■ UL listed



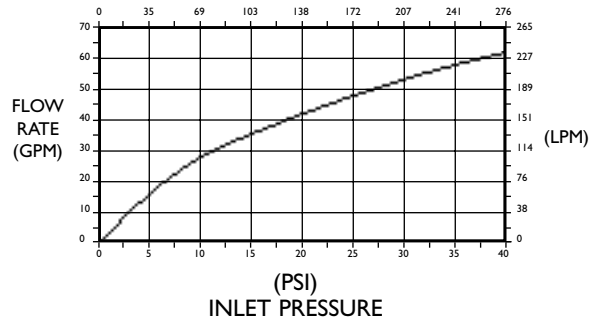
### A6000 Roughneck® Truck Stop Nozzle

Model No.	Scuff Color	Inlet Size	Spout
A6000-001	Black	1"	1" I.D., 1 3/4" O.D.
A6000-002	Black	1" BSP	1" I.D., 1 3/4" O.D.
* A6000-007	Black	1" BSP	1" I.D., 1 3/4" O.D.
A6000-009	Red	1"	1" I.D., 1 3/4" O.D.
A6000-010	Yellow	1"	1" I.D., 1 3/4" O.D.
A6000-012	Green	1"	1" I.D., 1 3/4" O.D.

\*Contains attitude device

Weighs 3 lbs., 7 oz.

A6000 Flow Data  
(kPa)



Full open position  
.8 specific gravity tested

### A6000 Replacement Parts

Kit No.	Description
492958	Latch Kit
492769	Spout Kit
493840	Spout Kit, Attitude Device
562091	Spout Spring

Material	
Body & Spout:	Aluminum
Lever:	Steel
Lever Guard:	Aluminum
Seals:	Nitrile
Scuff Guard:	Vinyl

# Automatic Nozzles

## A2500/A250 I

The Emco Wheaton A2500 is the new benchmark for standard nozzles. The lightweight aluminum construction combined with a durable vinyl cover make this one of the lightest standard nozzles available.

**Options:** To order nozzles with leaded spouts, attitude devices and splash guards, please add the codes listed below to the 8 digit model number.

L = Leaded Spout, A = Attitude Device, S = Splash Guard, B = BSP Tapered Inlet, BP = BSP Parallel

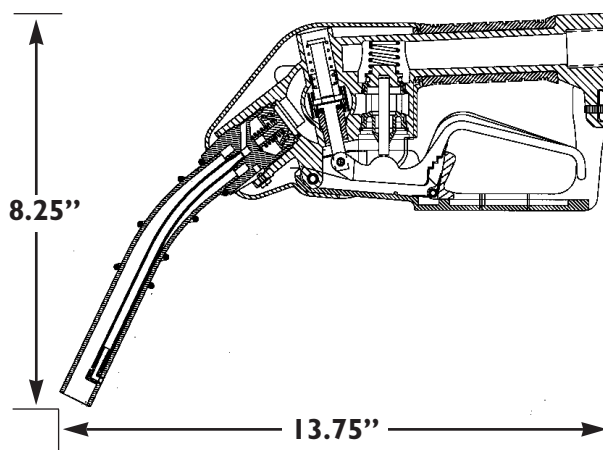
1" Inlet - replace the first digit of the three digit variant number with a 1

**Example:** A2500-163LS = Standard nozzle, red scuff guard, leaded spout, splash guard and 1" inlet

Weight: 2 lbs., 6 oz.



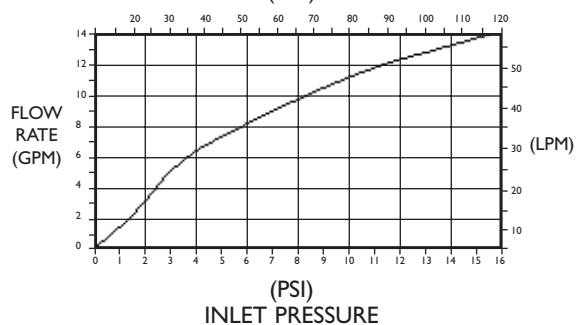
■ UL listed



### A2500/A250 I Automatic Nozzle

Nozzle Unleaded Model No.	Prepay Unleaded Model No.	A2500/250 I Scuff Kit Model No.	Scuff Guard Color
A2500-002	A2501-002	A0550-102K	Black
A2500-058	A2501-058	A0550-158K	Blue
A2500-059	A2501-059	A0550-159K	White
A2500-060	A2501-060	A0550-160K	Med. Red
A2500-061	A2501-061	A0550-161K	Royal Blue
A2500-062	A2501-062	A0550-162K	Green
A2500-063	A2501-063	A0550-163K	Dark Red
A2500-064	A2501-064	A0550-164K	Yellow

A2500 Flow Data  
(kPa)



### A2500/A250 I Replacement Parts

Kit No.	Description
A0511-001	Spout Kit, Unleaded
A0511-002	Spout Kit, Leaded
A0520-025	Latch Kit

#### Material

Body & Spout:	Aluminum
Lever & Lever Guard:	Thermoplastic
Seals:	Nitrile
Scuff Guard:	Vinyl

# Automatic Nozzles

## A2000 Automatic Nozzle

The Emco Wheaton A2000 is recognized as the industry standard in service station nozzles. Flow rates of the A2000 meet or exceed all competitive models.

The A2000 features a hold-open latch and vinyl scuff guard. Spout kits and a variety of scuff guard and splash guard colors are available. All A2000 automatic nozzles incorporate the same high quality and 12 month warranty that you expect from all Emco Wheaton nozzles.

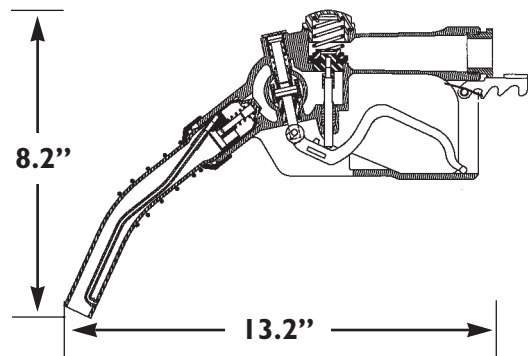


■ UL listed

### A2000 Automatic Nozzle

Model No.	Inlet	Fuel	Weight
A2000-145	3/4"	Leaded	2 lbs. 11 oz.
A2000-145A	1"	Leaded	2 lbs. 10 oz.
A2000-146	3/4"	Unleaded	2 lbs. 11 oz.
A2000-146A	1"	Unleaded	2 lbs. 10 oz.

**Note:** The A2000 is available with an attitude device. BSP threaded inlets are also available.



### A2000 Replacement Parts

Kit #	Description
491278	Leaded Spout Kit
491292	Truck Spout Kit
491401	Unleaded Spout Kit

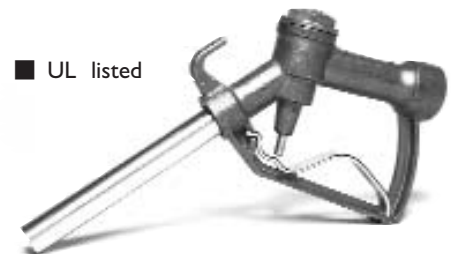
#### Material

Body & Spout:	Aluminum
Lever:	Thermoplate
Lever Guard:	Aluminum
Seals:	Nitrile
Scuff Guard:	Vinyl

# Manual Utility Nozzles

## A0845 Farm Utility Nozzle

The A0845 is a dependable, economical nozzle designed for low volume use with small pressure pumps or gravity flow systems such as overhead farm service tanks. Nozzle maintenance is simple. The A0845 consists of only nine parts, and no special tools are needed for adjustments or repair. Spare tubes, poppets and O-rings are available from Emco Wheaton.



■ UL listed

### A0845 Farm Utility Nozzle

Model No.	Inlet	Spout	Fuel	Weight
A0845-011	3/4"	15/16"	Leaded	1 lbs. 2 oz.
A0845-012	3/4"	13/16"	Unleaded	1 lbs. 2 oz.
A0845-013	1"	15/16"	Leaded	1 lbs. 2 oz.
A0845-014	1"	13/16"	Unleaded	1 lbs. 2 oz.
A0845-015	1" BSPP	15/16"	Leaded	1 lbs. 2 oz.

